



## Washer - Extractor Variofex 25 T

### Standard equipment:

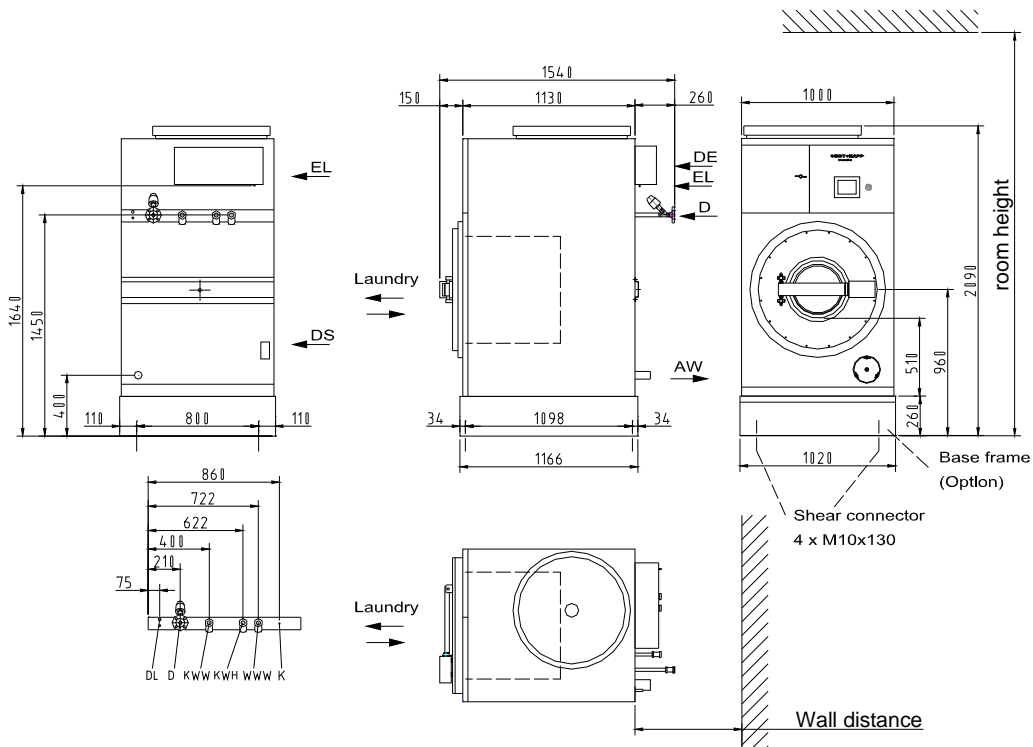
- Steam heating, direct, 3 – 13 bar with air-operated steam valve; alternative: electric heating with 27 kW connected load
- Frequency-controlled drive with infinitely variable drum speed for wash and extraction
- Electronic control with touch screen
- 3 removable flush-in hoppers for liquid and powdery detergents
- 1 connection point and up to 8 control facilities for dosing pumps
- Waste water valve
- Water connections for 1, 2 or 3 kinds of water
- Colour: S+K - blue
- Operational data collection with interface to external data processing system



### Optional Equipments:

- Steam heating, indirect, 3 – 13 bar with air-operated steam valve, without condensate trap
- Oil circulating heating up to 5 bar, with air-operated valve
- Water recovery tank
- Waste water pump with filter for foreign objects
- Base frame, 26 cm high
- Liquor re-circulation system for WetClean or short liquor processes
- 4 additional connection points for dosing pumps
- Connection to an external water recovery system
- PNEUMA-LOAD-System for automatic loading and barrier separation
- Software for programming and changing of washing programmes at customers PC
- Other options on request

<b>Loading capacity:</b> (dry linen)	20 [kg]	22,5 [kg]	25 [kg]
Filling ratio	1:12	1:11	1:10
<b>Drum cylinder</b>	Diameter 700 [mm]	Depth 64 [mm]	Volume 250[l]
<b>Rotating speed</b>	Washing 20– 40[U/min]	Spinning 320– 1070[U/min]	g-factor spinning 40 – 450
<b>Connected loads</b> (The connected loads will be used shortly. The consumptions are much lower and are depending on wash-programmes)			
Electric Drive motor 3,2kW]	Fuse Drive motor 3 x 16[A]	Electric heating 27[kW]	Fuse Electric heating 3 x 50[A]
Steam heating 3 -13 bar 120[ kg steam / h]	Water intake for any kind [80 l/min] *1	Waste water max. 95 °C 200 [l/min]	Compressed air 5-7 bar 10 [l/min]
<b>Emission</b>	Noise at washing 52 [db(A)]	Noise at max. spinning speed < 70 [db(A)]	Heat rate 2 [kW]*2
<b>Weights:</b>	Weight of the empty machine 760 [kg]	Max. weight with filled tank 1150 kg	Weight of the sea crate 150 [kg]



If “Cold Water Hard” and / or “Hot Water Soft” are not available, please connect to “Cold Water Soft”.

EL	Electric connection, 3x400V / 50Hz	KWW	Cold water soft, female thread G ¾ “
D	Steam, flange DIN 2633, DN20 with oil circulation heating runback (option)	KWH	Cold water hard, female thread G ¾ “,
K	Condensate connection (indirect heating) flange DIN 2633, DN 20 (option) with oil circulation heating run forward(option)	WWW	Hot water soft (60°C-70°C), female thread G ¾ “,
AW	Waste water , HT-pipe DN 70	DS	Detergent connection, 1 x diameter 16 mm, 4 x diameter 10 mm (Option)
DL	Compressed air, DN 8	DE	Electric connection for detergent device 24 V DC for switching relay at site

**Entrance dimensions:** Width 1050 [mm] Height 1920 [mm]

**Wall distance:** minimum 700 mm,  
 PNEUMA-LOAD Ø250: 1000 mm  
 Recommended front space: 1500 mm  
 Side spacement: not necessary

**Room height:** minimum 2350 mm,  
 PNEUMA-LOAD Ø250: 2540 mm  
 (incl. base frame)

\*1 The minimum floating pressure for all kinds of water is 2.5 bar. Recommended water hardness: 2-6°dH.

\*2 Average heat rate at a standard washing programme 60/90°C.

Subject to alterations